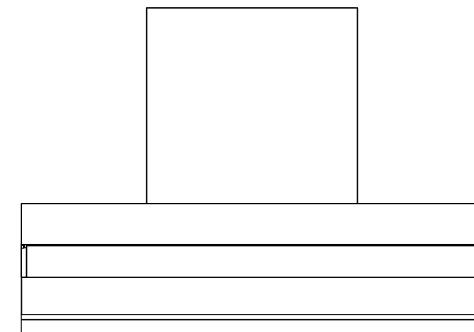




USER MANUAL



Livinox Malaysia Sdn Bhd (1089457-U)
No 32A, Jalan Teknologi 3/3A,
Taman Sains Selangor 1, Kota Damansara,
47810 Petaling Jaya, Selangor.

www.livinox.my



Careline 
+603-6150 7810

LCH-ZENTO DC-90BL

TROUBLESHOOTING

Fault	Cause	Solution
Light on, but fan does not work	The fan blade is jammed.	Switch of the unit and repair by qualified service personnel only.
	The motor is damaged.	
Both light and fan do not work	Light bulb burn.	Replace the bulb with correct rating.
	Power cord looses.	Plug in to the power supply again.
Serious Vibration of the unit	The fan blade is damaged.	Switch of the unit and repair by qualified service personnel only.
	The fan motor is not fixed tightly.	Switch of the unit and repair by qualified service personnel only.
	The unit is not hung properly on the bracket.	Take down the unit and check whether the bracket is in proper location.
Suction performance not good	Too long distance between the unit and the cooking plane	Readjust the distance to 65-75 cm



ENVIRONMENTAL PROTECTION

Waste electrical products should not be disposed of with household waste. Please recycle where facilities exist. Check with your Local Authority or retailer for recycling advice.

This appliance is marked according to the European directive 2002/96/EC on Waste Electrical and Electronic Equipment (WEEE).

By ensuring this product is disposed of correctly, you will help prevent potential negative consequences for the environment and human health, which could otherwise be caused by inappropriate waste handling of this product.

The symbol on the product indicates that this product may not be treated as household waste. Instead it shall be handed over to the applicable collection point for the recycling of electrical and electronic equipment

Disposal must be carried out in accordance with local environmental regulations for waste disposal.

For more detailed information about treatment, recovery and recycling of this product, please contact your local city office, your household waste disposal service or the shop where you purchased the product.

Instruction Manual

Content	Page
Introduction	1
Safety Precaution	1
Specifications	2
Product Dimension	2
Installation Instructions	3-6
Function Operation	7-9
Maintenance	10
Trouble Shooting	11
Environment Protection	11

INTRODUCTION

Thank you for choosing our cooker hood.

- This instruction manual is designed to provide you with all required instructions related to the installation, use and maintenance of the appliance.
- In order to operate the unit correctly and safely, please read this instruction manual carefully before installation and usage.
- The cooker hood uses high quality materials, and is made with a streamlined design. Equipped with large power electric motor and centrifugal fan, it also provides strong suction power, low noise operation, non-stick grease filter and easy assembly installation.

SAFETY PRECAUTION

- Never let the children operate the machine.
- The cooker hood is for home use only, not suitable for barbecue, roast shop and other commercial purpose.
- The cooker hood and its filter should be clean regularly in order to keep in good working condition.
- Clean the cooker hood according to the instruction manual and keep the unit from danger of burning. There is a fire risk if cleaning is not carried out in accordance with the instructions.
- Forbid the direct baking from the gas cooker.
- Please keep the kitchen room a good convection.
- Before connecting this appliance check that the power supply cord is not damaged. A damaged supply cord must be replaced by qualified service personnel only.
- There shall be adequate ventilation of the room when the range hood is used at the same time as appliances burning gas or other fuels;
- The air must not be discharged into a flue that is used for exhausting fumes from appliances burning gas or other fuels;
- Regulations concerning the discharge of air have to be fulfilled.
- This appliance is not intended for use by persons (including children) with reduced physical, sensory or mental capabilities, or lack of experience and knowledge, unless they have been given supervision or instruction concerning use of the appliance by a person liable for their safety.
- Children should be supervised to ensure that they do not play with the appliance.
- Do not flambe under the range hood.
- CAUTION: Accessible parts may become hot when used with cooking appliance.

Electrical Shock Hazard

- Only plug this unit into a properly earthed outlet. If in doubt seek advice from a suitably qualified engineer.
- Failure to follow these instructions can result in death, fire, or electrical shock.

MAINTENANCE

Before cleaning switch the unit off and pull out the plug.

I. Regular Cleaning

Use a soft cloth moistened with hand-warm mildly soapy water or household cleaning detergent. Never use metal pads, chemical, abrasive material or stiff brush to clean the unit.

II. Monthly Cleaning for Grease Filter

ESSENTIAL: Clean the filter every month can prevent any risk of fire.

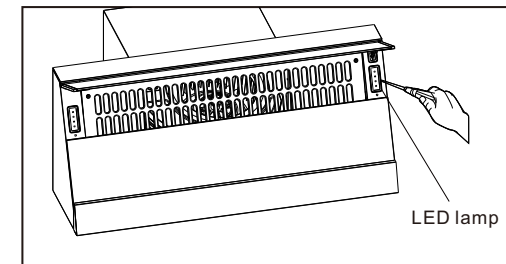
The filter collects grease, smoke and dust..... so the filter is directly affecting the efficiency of the cooker hood. If not cleaned, the grease residue (potential flammable) will saturate on the filter. Clean it with household cleaning detergent.

III. Annual Cleaning for Activated Carbon Filter

Apply **SOLELY** to unit that installed as a recirculation unit (not vented to the outside). This filter traps odours and must be replaced at least once a year depending on how frequent the cooker hood used.

IV. Bulb Replacement

1. Switch the unit off and unplug the appliance.
2. Remove the lamp cover by unscrewing the 2 screws.
3. Unscrew the incandescent bulb.
4. Replace with the same type and rated bulb/lamp.



(2). The opening and closing of the linkage function is not controlled by the power button. It can be directly achieved through the stove linkage, that is, after successful pairing, there is no need to press the power button, and the stove can be turned on to start the smoke extractor. After starting the smoke extractor, the power button indicator light and the corresponding wind speed indicator light will turn on; after the stove is turned off, the smoke extractor enters a 3-minute delay shutdown state, and after the delay ends, it enters the powered-on state. If the smoke extractor does not receive the transmission signal for 3 times after the stove is turned off, the smoke extractor will shut down, and the power button indicator light and the corresponding wind speed indicator light will go off.

(3). In the powered-on state with the linkage function enabled, press and hold the down button for 5 seconds. After the smoke stove linkage icon flashes for 3 seconds and then goes off, it indicates that the code clearing is successful.

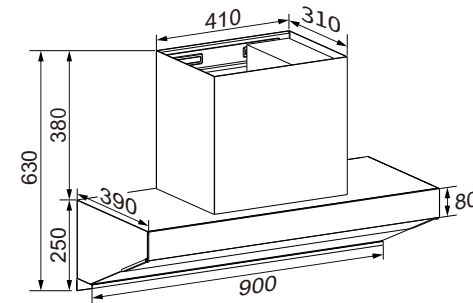
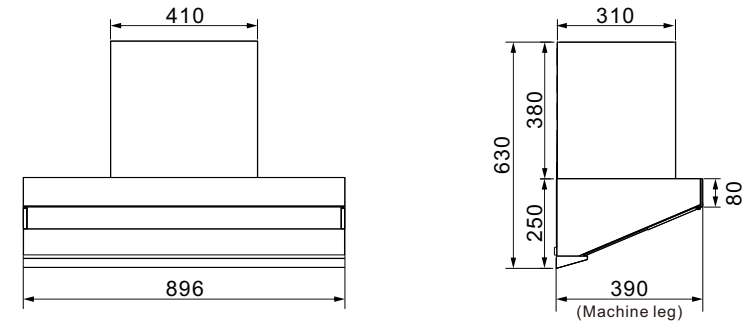
9. Cleaning mode

In the standby mode, simultaneously press the down button and the up button for 5 seconds. At the same time, the buzzer emits a "ding-dong" alert sound. The indicator lights for the down button and the up button both turn on, and the flipper glass component opens to enter the cleaning mode. All other keys go off and become ineffective. In this state, the lower glass component can be removed, the inner cavity can be cleaned, and the back of the flipper glass component can also be cleaned for cleaning tasks. Then, simultaneously press the down button and the up button for another 5 seconds. At the same time, the buzzer emits the "ding-dong" alert sound, restoring the original state.

SPECIFICATIONS

Model	LCH-ZENTO DC-90BL	Motor Power	188W
Rated Voltage	AC 220-240V	Input Power	192W
Rated Frequency	50Hz	Boost Power	380W
Dimension (L×W×H)	896×390×630mm	Thermal Power	50W
Control Panel	Sensor Touch Control	Lighting Power	2W×2

PRODUCT DIMENSION (Unit: mm)

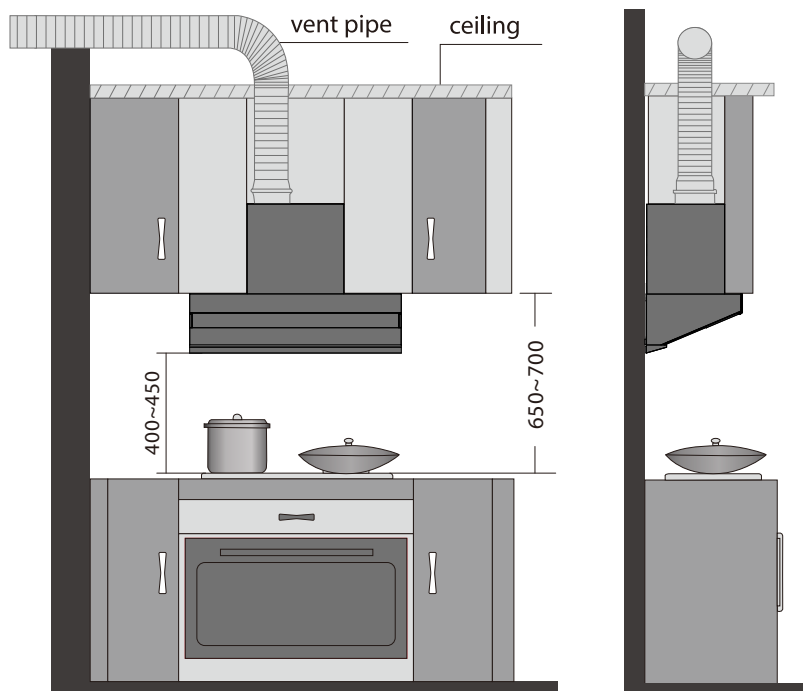


Schematic diagram of the lighting lamp structure

Lamp image		Lamp information	
	Lamp Type	LED lamp strains	
	Max Power	≤2W	
	Voltage	12V DC	
	Size	70.8×27.8mm	

INSTALLATION INSTRUCTIONS

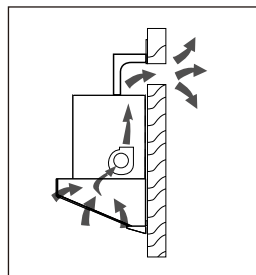
Choose the type of drill bit according to the material of the wall.
(All dimensions mentioned below are in millimeter)



Remarks: Additional 50mm clearance is required if gas hob with cast iron pan support is used.

1. Prepare for installation:

- a. If you have an outlet to the outside, your cooker hood can be connected as below picture by means of an extraction duct (enamel, aluminum, flexible pipe or inflammable material with an interior diameter of 150mm)



③

4. Cruise boost button

When in standby mode, or in the F1, F2, or F3 operation mode, press the cruise boost button, and the fan will enter the intelligent mode of operation; long press the cruise boost button for 3 seconds, and the fan will enter the stir-fry mode of operation. After 3 minutes, it will automatically return to the intelligent mode. Within 3 minutes, by pressing the cruise boost button, the up button and the down button, you can exit the stir-fry mode and switch to the intelligent mode of operation. The fan will then operate in the corresponding gear position.

5. Up button

- (1). In standby or cruise boost mode, when pressing the up button, the display shows F2, and the fan enters operation in the 2nd gear. Pressing the up button again displays F3, and the fan then operates in the 3rd gear. Pressing the up button again has no effect.
(2). When the fan is operating in the 1st or 2nd gear, each time the up button is pressed, the gear increases by one.

6. Down button

- (1). In the standby or cruise boost mode, press the down button, and the display will show F3. The fan will then operate in the 3rd gear. Press the down button again, and the display will show F2. The fan will switch to the 2nd gear. Press the down button once more, and the display will show F1. The fan will switch to the 1st gear. Pressing the down button a fourth time will have no effect on the fan.
(2). When the fan is operating in the 2nd gear, 3rd gear, or rapid stir-fry gear, each time the down button is pressed, the gear will decrease by one.

7. Gesture control

- (1). When the machine is powered on, wave your hand from left to right. The fan will enter the intelligent mode and the lighting will be activated. Wave your hand again, and the fan will start running in mode F1. The sequence is F1-F2-F3, repeating continuously.
(2). When the fan is running at any speed, wave your hand from right to left. First, it will switch to delayed shutdown for 3 minutes. If you wave your hand from right to left again within 3 minutes, it will shut down directly.
(3). The default gesture function is enabled at the factory.
A). Off: In the powered-on state, press the light button for 3 seconds continuously, and the gesture function will be turned off.
B). On: (1) It can be turned off by power interruption and then re-powered; (2) Press the light button for 3 seconds continuously, and the gesture function will be enabled.

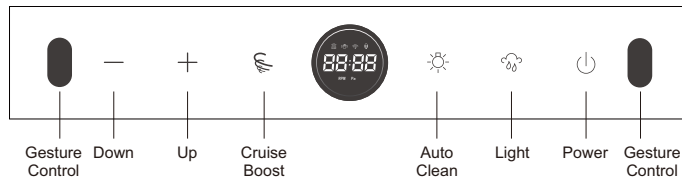
8. Smoke stove linkage function:

- (1). When the power is on, press and hold the down button for 5 seconds. The down button and the icon indicating the smoke stove linkage will flash for 15 seconds, indicating that the set-up pairing state has been entered. Turn on the stove (that is, power on the wireless transmitter and send a signal), and if the smoke extractor receives the signal, the power button indicator light and the cruise boost button indicator light will both turn on, and at the same time, the buzzer will ring with the "ding dong" prompt sound, indicating that the pairing is completed. The pairing state has a power-off memory function. If the smoke extractor does not receive the signal, the smoke stove linkage icon will continue to flash for 15 seconds before going off, and at the same time, the buzzer will ring with the "ding dong" prompt sound, indicating that the pairing has not been completed.

⑧

Function Operation

This cooker hood is operated with a gesture control and a feather touch control panel



1. Power button

- (1). When the power is on, press this button to enter/exit the standby mode.
- (2). When the motor is running, press the power button. The fan will continue to operate in F1 mode and enter a 3-minute delay shutdown. After 3 minutes, it will automatically shut down. In the delay shutdown state, press the power button again, and the fan will shut down.
- (3). When powered on, press the power button for 3 seconds to enter the time setting state. Set the hours (each press of the increase key increases the time by 1 unit, and each press of the decrease key decreases the time by 1 unit). After setting the hours, press the power button again to switch to the minute setting. After setting, press the power button to save the time and exit, or wait for 5 seconds without any operation and it will automatically save the time and exit.

2. Auto clean button

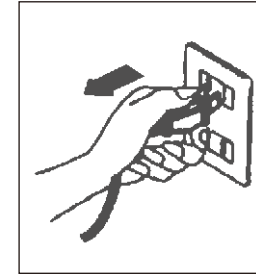
- (1). When the power is on, press the auto clean button to activate or deactivate the hot cleaning function.
- (2). When the hot cleaning function is enabled, the heating module will operate for 10 minutes, then the fan at speed F3 will operate for 1 minute. The hot cleaning function is completed and the fan will shut off. The smoke machine will also shut down.
- (3). When the hot cleaning function is enabled, press the auto clean button to deactivate the function; press the light button to turn on/off the lighting; press the Power button to shut off all functions and enter the power-on state.
- (4). Oil refilling reminder function:
 - A). After the cumulative running time of the fan at any speed reaches 15 hours, each time the user turns on the smoke machine, the indicator light of the auto clean button will flash to remind the user to clean the oil cup. It will automatically go off after 1 minute. The user will receive three reminders for each time the smoke machine is turned on; after three times, it is assumed that the user has completed the hot cleaning of the oil cup, and the timer will reset automatically and start counting from zero.
 - B). After the user completes the hot cleaning, in the power-on state, press the auto clean button for 3 seconds continuously. The indicator light of the auto clean button will flash 3 times and then go off. The timer will automatically reset (indicating that the oil has been refilled).

Note: The cumulative time can be reset at any time.

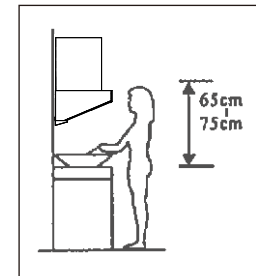
3. Light button

When the power is on, press the corresponding button to turn on/off the lighting.

b. Before installation, turn the unit off and unplug it from the outlet.



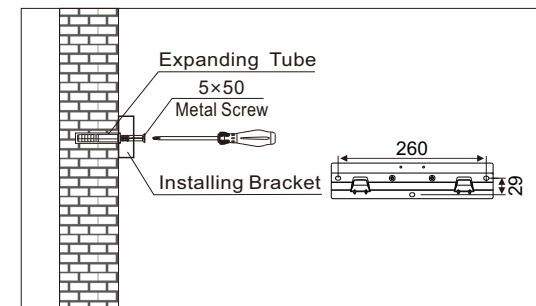
c. The cooker hood should be placed at a distance of 65-75cm above the cooking plane for best effect.



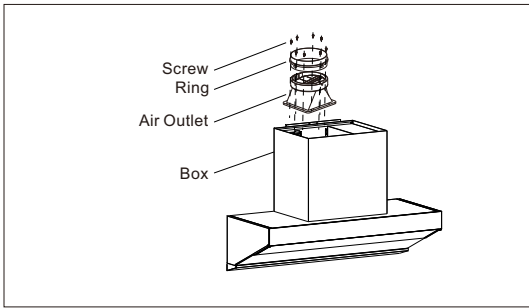
2 INSTALLATION (VENT OUTSIDE)

Attention! Observe the warning in the instruction sheet concerning the operation of the appliance when air is discharged from the room.

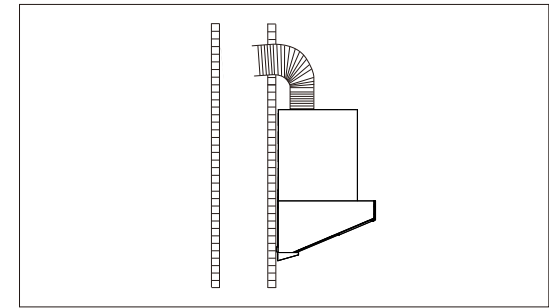
When the range hood and appliance supplied with energy other than electricity are simultaneously in operation, the negative pressure in the room must be not exceed 4 Pa (4×10⁻⁵ Bar)



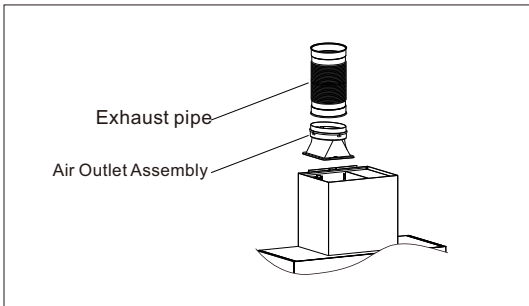
- According to the dimension of installing bracket, on the walls in the corresponding position to accurately determine the position of an installing hole, use a $\Phi 10$ impact drilling out the mounting holes, and firmly buried expanding tube, then use the M5 x 50 wood screws fastening the installing bracket to the wall.



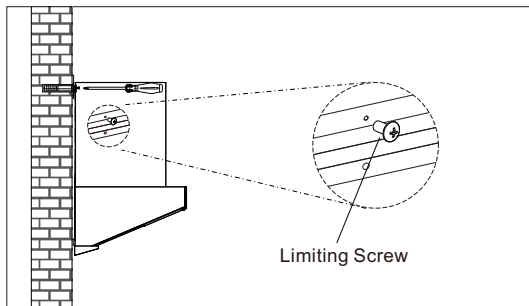
- Remove the pan head screw with the air outlet cross slot at the top of the box, and then fix the hole position of the outlet component, and fasten the outlet component on the box with the removed screw respectively.



- If you need connect the common flue, please do not put the exhaust pipe too deeply, so as to not affect the effect.



- Embed the clasp on the outlet joint with a step at one end, then align the clasp on the outlet and press the clasp to the bottom.



- Pick the cooker hood up, the hanging hole at the back of the box assembly is aligned with the hanger on the installing bracket, and the limiting screw in the accessory bag is fixed on the hole of the installing bracket to prevent the accidental fall of the hood.