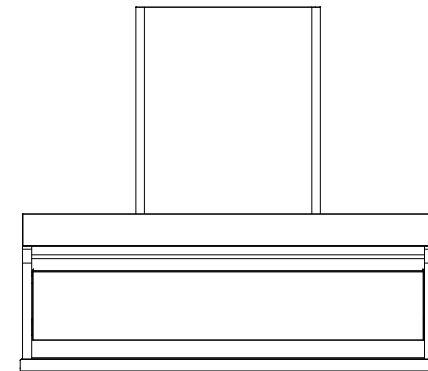




# USER MANUAL



**Livinox Malaysia Sdn Bhd** (1089457-U)  
No 32A, Jalan Teknologi 3/3A,  
Taman Sains Selangor 1, Kota Damansara,  
47810 Petaling Jaya, Selangor.

[www.livinox.my](http://www.livinox.my)



Careline   
+603-6150 7810

## LCH-TRESCO DC-90BL



# Instruction Manual

<b>Content</b>	<b>Page</b>
Introduction .....	1
Safety Precaution .....	1
Specifications .....	2
Product Dimension .....	2
Installation Instructions .....	3-6
Function Operation .....	7-8
Maintenance .....	9
Trouble Shooting .....	10
Environment Protection .....	10

## INTRODUCTION

### Thank you for choosing our cooker hood.

- This instruction manual is designed to provide you with all required instructions related to the installation, use and maintenance of the appliance.
- In order to operate the unit correctly and safely, please read this instruction manual carefully before installation and usage.
- The cooker hood uses high quality materials, and is made with a streamlined design. Equipped with large power electric motor and centrifugal fan, it also provides strong suction power, low noise operation, non-stick grease filter and easy assembly installation.

## SAFETY PRECAUTION

- Never let the children operate the machine.
- The cooker hood is for home use only, not suitable for barbecue, roast shop and other commercial purpose.
- The cooker hood and its filter should be clean regularly in order to keep in good working condition.
- Clean the cooker hood according to the instruction manual and keep the unit from danger of burning. There is a fire risk if cleaning is not carried out in accordance with the instructions.
- Forbid the direct baking from the gas cooker.
- Please keep the kitchen room a good convection.
- Before connecting this appliance check that the power supply cord is not damaged. A damaged supply cord must be replaced by qualified service personnel only.
- There shall be adequate ventilation of the room when the range hood is used at the same time as appliances burning gas or other fuels;
- The air must not be discharged into a flue that is used for exhausting fumes from appliances burning gas or other fuels;
- Regulations concerning the discharge of air have to be fulfilled.
- This appliance is not intended for use by persons (including children) with reduced physical, sensory or mental capabilities, or lack of experience and knowledge, unless they have been given supervision or instruction concerning use of the appliance by a person responsible for their safety.
- Children should be supervised to ensure that they do not play with the appliance.
- Do not flame under the range hood.
- CAUTION: Accessible parts may become hot when used with cooking appliance.

## Electrical Shock Hazard

- Only plug this unit into a properly earthed outlet. If in doubt seek advice from a suitably qualified engineer.
- Failure to follow these instructions can result in death, fire, or electrical shock.

## TROUBLESHOOTING

Fault	Cause	Solution
Light on, but fan does not work	The fan blade is jammed.	Switch of the unit and repair by qualified service personnel only.
	The motor is damaged.	
Both light and fan do not work	Light bulb burn.	Replace the bulb with correct rating.
	Power cord looses.	Plug in to the power supply again.
Serious Vibration of the unit	The fan blade is damaged.	Switch of the unit and repair by qualified service personnel only.
	The fan motor is not fixed tightly.	Switch of the unit and repair by qualified service personnel only.
	The unit is not hung properly on the bracket.	Take down the unit and check whether the bracket is in proper location.
Suction performance not good	Too long distance between the unit and the cooking plane	Readjust the distance to 65-75 cm



## ENVIRONMENTAL PROTECTION

Waste electrical products should not be disposed of with household waste. Please recycle where facilities exist. Check with your Local Authority or retailer for recycling advice.

This appliance is marked according to the European directive 2002/96/EC on Waste Electrical and Electronic Equipment (WEEE).

By ensuring this product is disposed of correctly, you will help prevent potential negative consequences for the environment and human health, which could otherwise be caused by inappropriate waste handling of this product.

The symbol on the product indicates that this product may not be treated as household waste. Instead it shall be handed over to the applicable collection point for the recycling of electrical and electronic equipment

Disposal must be carried out in accordance with local environmental regulations for waste disposal.

For more detailed information about treatment, recovery and recycling of this product, please contact your local city office, your household waste disposal service or the shop where you purchased the product.

## MAINTENANCE

Before cleaning switch the unit off and pull out the plug.

### I. Regular Cleaning

Use a soft cloth moistened with hand-warm mildly soapy water or household cleaning detergent. Never use metal pads, chemical, abrasive material or stiff brush to clean the unit.

### II. Monthly Cleaning for Grease Filter

**ESSENTIAL:** Clean the filter every month can prevent any risk of fire.

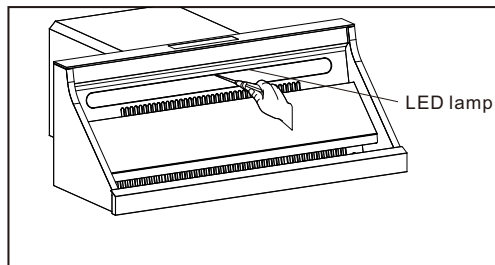
The filter collects grease, smoke and dust..... so the filter is directly affecting the efficiency of the cooker hood. If not cleaned, the grease residue (potential flammable) will saturate on the filter. Clean it with household cleaning detergent.

### III. Annual Cleaning for Activated Carbon Filter

Apply SOLELY to unit that installed as a recirculation unit (not vented to the outside). This filter traps odours and must be replaced at least once a year depending on how frequent the cooker hood used.

### IV. Bulb Replacement

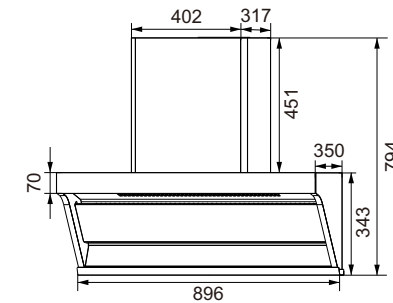
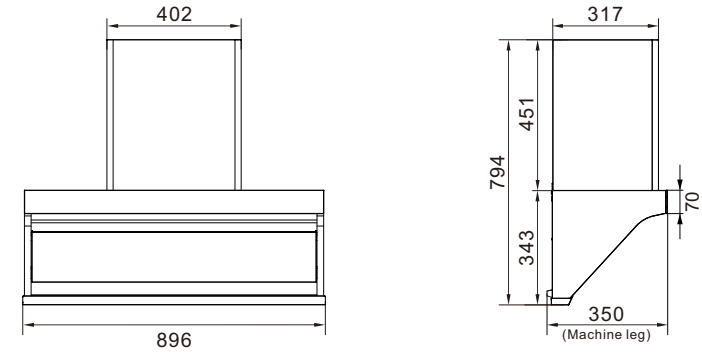
1. Switch the unit off and unplug the appliance.
2. Use a flathead screwdriver or a small knife to gently pry out the LED lamp.
3. Replace with the same type and rated bulb/lamp.



## SPECIFICATIONS

Model	LCH-TRESCO DC-90BL	Motor Power	188W
Rated Voltage	AC 220-240V	Input Power	193W
Rated Frequency	50Hz	Boost Power	330W
Dimension (L×W×H)	896×350×794mm	Thermal Power	50W
Control Panel	Sensor Touch Control	Lighting Power	5W×1

## PRODUCT DIMENSION (Unit: mm)

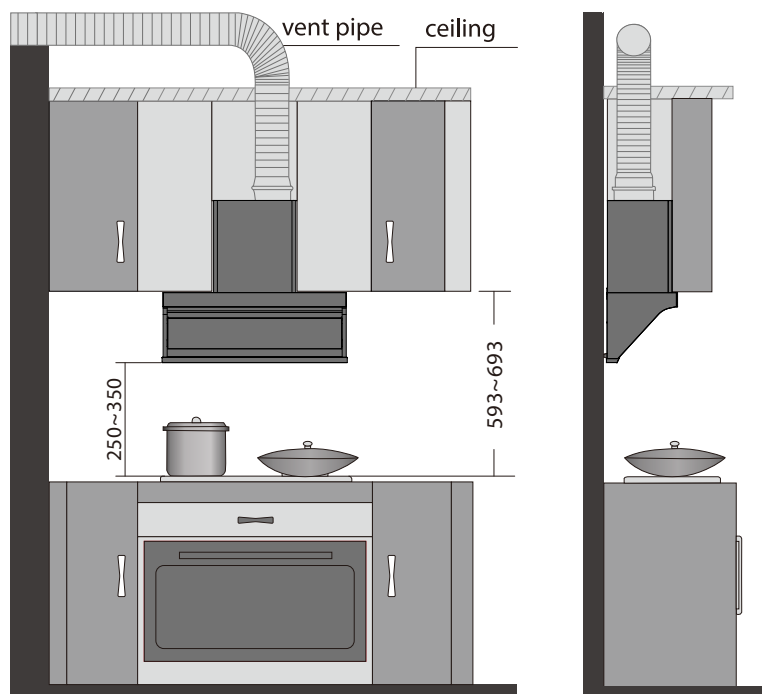


## Schematic diagram of the lighting lamp structure

Lamp image	Lamp information	
		Lamp Type
Max Power		≤3W
Voltage		12V DC
Size		760×40mm

## INSTALLATION INSTRUCTIONS

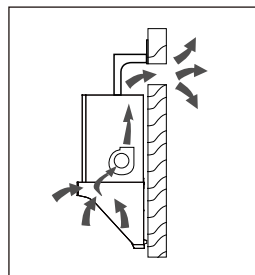
Choose the type of drill bit according to the material of the wall.  
(All dimensions mentioned below are in millimeter)



Remarks: Additional 50mm clearance is required if gas hob with cast iron pan support is used.

### 1. Prepare for installation:

- a. If you have an outlet to the outside, your cooker hood can be connected as below picture by means of an extraction duct (enamel, aluminum, flexible pipe or inflammable material with an interior diameter of 150mm)



③

- C). Clear Code: When the device is powered on, press and hold the fan speed button for 5 seconds. The smoke stove linkage indicator light will flash for 3 seconds, indicating that the clear code function has been activated. The clear code process is complete when the indicator light stops flashing after 3 seconds.
- D). When the linkage is successful, the range hood will start operating and the smoke stove linkage icon will light up; when the range hood stops operating, the smoke stove linkage icon will go out.

#### 4. Cruise boost button

When the device is in standby or other operating modes, press this button to enter the cruise boost mode. It will operate continuously for 3 minutes. If you touch this button again, it will exit the cruise boost mode and switch to the F4 mode.

#### 5. Auto clean button

- (1). When the power is on, press the auto clean button to activate/deactivate the hot cleaning function.
- (2). When the hot cleaning function is activated, the heating module will operate for 10 minutes, then the fan at speed 4 will operate for 1 minute. The hot cleaning function is completed and the exhaust fan will shut off.
- (3). When the hot cleaning function is activated, press the auto clean button to deactivate the function; press the light button to turn on/off the lighting; press the power button to turn off all functions and enter the power-on state; all other function buttons will be locked and the operation will be invalid.

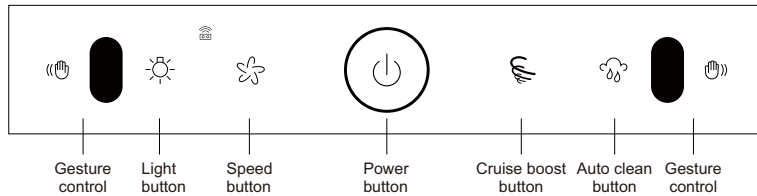
#### 6. Gesture control

- (1). When the device is powered on or in standby mode, swipe two gesture modules from left to right. The lighting lamp will turn on and the fan will operate at speed F3. Swiping again will make the fan operate at speed F4. Adjust the air volume. The speed levels will cycle between F3-F4-F1-F2-F3.
- (2). When the fan is running, if you wave the two gesture modules from right to left, the range hood will enter a 3-minute delay shutdown state; wave again and it will enter the powered-on state. In the standby or lighting state where they are opened separately, if you wave the two gesture modules from right to left, it will enter the powered-on state.
- (3). The default gesture function is enabled at the factory.
  - A). To turn off: In the powered-on state, press the auto clean button for 3 seconds continuously. The gesture function will be turned off.
  - B). To turn on: (a) It can be turned off by power interruption and then re-powered on; (b) Press the auto clean button for 3 seconds continuously, and the gesture function will be turned on.

⑧

## Function Operation

This cooker hood is operated with a gesture control and a feather touch control panel



### 1. Power button

(1) When the power is on, press this button to enter/exit the standby mode.

(2) When the motor is running, press this button to enter a 3-minute delay shutdown mode. The motor will automatically shut down after 3 minutes; in the delay shutdown mode, press this button to shut down the oil suction and smoke extraction machine.

### 2. light button

In any state, press this button to turn on/off the lighting.

### 3. Speed button

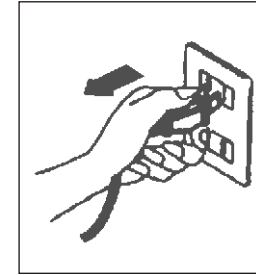
(1) In the standby/cruise boost mode, when you press the speed button, the range hood will start running in the F3 speed setting; pressing the speed button again will switch to the F4 speed setting; and pressing the speed button again will cause the speed setting to cycle through F3-F4-F1-F2-F3.

(2) Smoke stove linkage function:

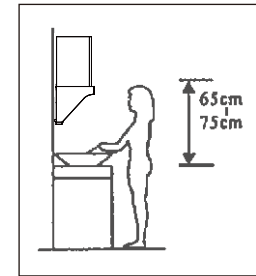
A). When the device is powered on and in the pairing mode, press and hold the speed button for 3 seconds. The speed button and the smoke stove linkage indicator light will flash for 15 seconds, indicating that the setting pairing mode has been entered. The stove (i.e., the wireless transmitter is powered on and sends a signal) will receive the signal, and then the power button indicator light, the speed button, and the smoke stove linkage indicator light will all light up. At the same time, a "DING DONG" sound will be emitted, indicating that the pairing is completed. The pairing status has a power-off memory function. If the smoke hood does not receive the signal, the smoke stove linkage indicator light will continue to flash for 15 seconds before going out, and at the same time, the buzzer will emit a "DING DONG" sound twice, indicating that the pairing has not been completed.

B). On/Off: The smoke stove linkage function is not controlled by the power button. It can be directly activated through the stove. That is, after successful code matching, there is no need to press the power button. The exhaust fan can be turned on by the stove. After the exhaust fan is turned on, the power button indicator light, the corresponding speed key, and the smoke stove linkage indicator light will be on; after the stove is turned off, it enters a 3-minute delay shutdown state. If no transmission signal is received within 3 minutes, the exhaust fan will be turned off, and the power button indicator light, the corresponding speed key, and the smoke stove linkage indicator light will go out.

b. Before installation, turn the unit off and unplug it from the outlet.



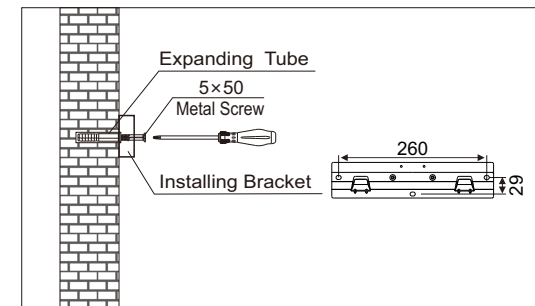
c. The cooker hood should be placed at a distance of 65-75cm above the cooking plane for best effect.



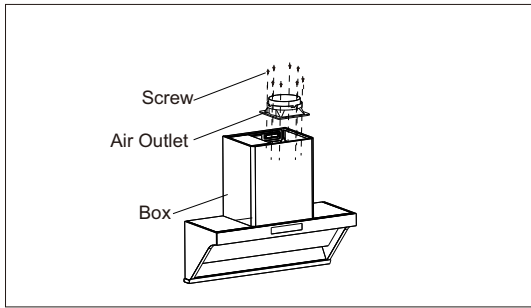
## 2 INSTALLATION (VENT OUTSIDE)

Attention! Observe the warning in the instruction sheet concerning the operation of the appliance when air is discharged from the room.

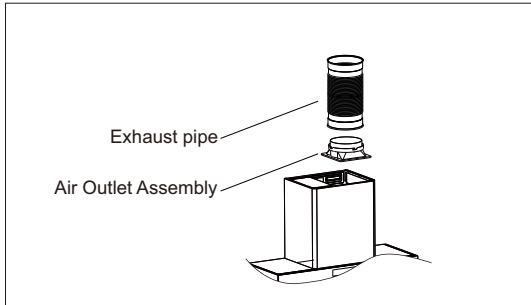
When the range hood and appliance supplied with energy other than electricity are simultaneously in operation, the negative pressure in the room must not exceed 4 Pa (4×10<sup>-5</sup> Bar)



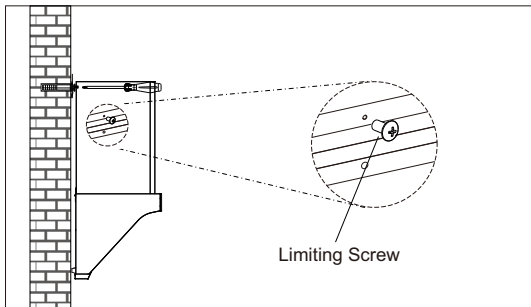
- According to the dimension of installing bracket, on the walls in the corresponding position to accurately determine the position of an installing hole, use a  $\Phi 10$  impact drilling out the mounting holes, and firmly buried expanding tube, then use the M5 x 50 wood screws fastening the installing bracket to the wall.



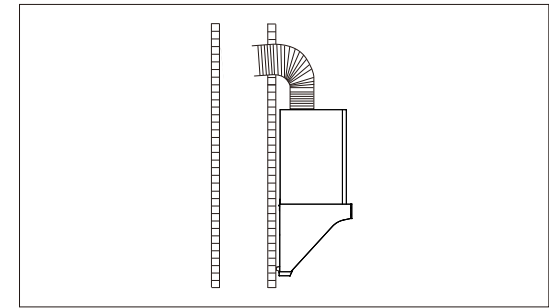
- Remove the pan head screw with the air outlet cross slot at the top of the box, and then fix the hole position of the outlet component, and fasten the outlet component on the box with the removed screw respectively.



- Embed the clasp on the outlet joint with a step at one end, then align the clasp on the outlet and press the clasp to the bottom.



- Pick the cooker hood up, the hanging hole at the back of the box assembly is aligned with the hanger on the installing bracket, and the limiting screw in the accessory bag is fixed on the hole of the installing bracket to prevent the accidental fall of the hood.



- If you need connect the common flue, please do not put the exhaust pipe too deeply, so as to not affect the effect.