



USER MANUAL



MODEL NO.: LCH-1025-90GM

CE CB



Safety Precautions

Warning



PLEASE READ THIS SECTION THOROUGHLY BEFORE ATTEMPTING TO OPERATE THE **APPLIANCE**

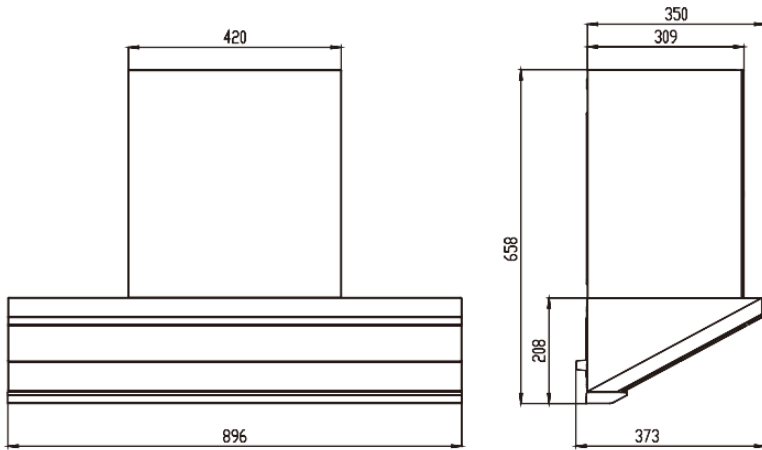
1. To ensure adequate ventilation in the room when the range hood is in use at the same time as gas/fuel burning cooking appliances (this is not applicable to appliances that only discharge the air back into the room).
2. There is a fire risk if cleaning is not carried out in accordance with the instructions.
3. To avoid using food products that produce flame under the range hood.
4. Do not “flambé” food (is a cooking procedure in which alcohol is added to a hot pan to create a burst of flames) under the range hood.
5. Sufficient air is needed for proper exhausting of gases through flue (chimney) of fuel burning appliances.
6. This appliance is not intended for use by persons (including children) with reduced physical, sensory or mental capabilities, or lack of experience and knowledge, unless they have been given supervision or instruction concerning use of the appliance by a person responsible for their safety.
Children should be supervised to ensure that they do not play with the appliance.
7. To reduce risk of fire and to properly exhaust air and to ensure to duct air outside. Do not vent exhaust air into spaces within walls, ceilings, into attics and crawl spaces.

Electrical Cord

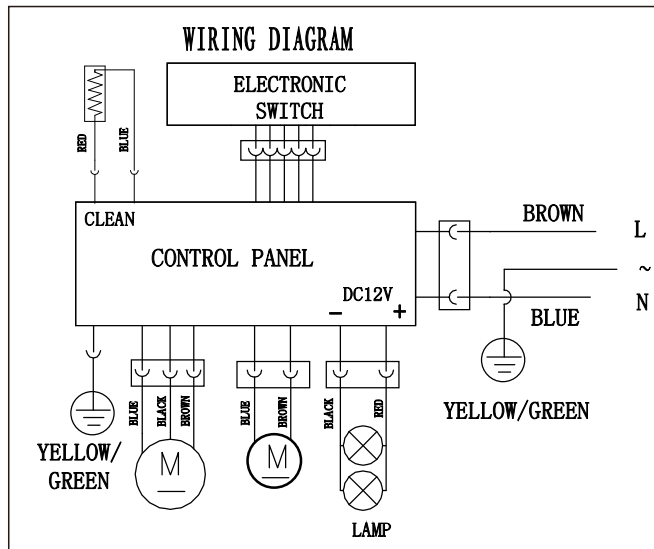
1. To ensure the electrical cord is not exposed to heat, chemical or sharp objects.
2. If the electrical cord is damaged, it must be replaced by the manufacturer or its service agent or qualified electrician.

Structure

Unit: mm



Wiring diagram



Installation

1. The installation process must be completed by professionals non-professionals are strictly prohibited to operate without authorization.
2. The range hood should be installed directly above the source of fume and exhaust gas. The minimum distance between the supporting surface of the cooking appliance on the stove and the lowest part of the range hood should be at least 650mm. If the installation instructions for the gas stove specify a larger installation distance, this should be taken into account.
3. The stretched distance of the telescopic air duct should be as short as possible, with fewer turns. The turning angles should be as large as possible to avoid excessive resistance affecting the smoke exhaust effect. If the smoke duct is too long, part of the smoke duct can be folded at an appropriate place, and then the folded section of the smoke duct should be firmly adhered with transparent tape to prevent unnecessary air flow blockage.
4. During installation, ensure that the smoke collecting hood of the range hood is placed horizontally to prevent oil from flowing out from the lower side during use.
5. The telescopic air duct can be extended outdoors and directly discharged into the atmosphere or into the cold air public flue. The exhaust gas is not allowed to be discharged into the hot flue. The connection between the telescopic air duct and the public flue should be sealed. If the exhaust gas is directly discharged outdoors, the air outlet of the telescopic air duct should be placed in a wind - sheltered place to prevent the fume exhaust gas from flowing back when there is a headwind.

6. This machine belongs to Class I appliance. When the basic insulation protection is damaged, it relies on the ground wire for electric shock protection. Therefore, it is necessary to ensure that the connection between the power socket and the ground wire is correct.

Installation method

7. As shown in Figure 3, horizontally drill 4 holes of $\Phi 10\text{mm}$ on the wall. The hole depth is 50mm, the hole pitch is 145mm, and the hole positions are as shown in Figure 3.

8. Insert plastic expansion pipes into the drilled holes, and use ST5x50 countersunk wood screws to pass through the holes of the hanger and tighten them, so as to firmly fix the hanger on the wall.

9. Drill the exhaust vent: As shown in Figure 4, open an exhaust vent 200 mm - 300 mm above the top air outlet of the range hood (determine the hole size according to the actual object). The exhaust outlet should be placed in a wind - sheltered place as much as possible.

10. Remove the eight M4 screws at the top air outlet of the range hood, take out the air outlet seat assembly from the accessories, align the screw holes at the top air outlet of the range hood, and fix the air outlet seat assembly with the removed M4 screws, as shown in Figure 6.

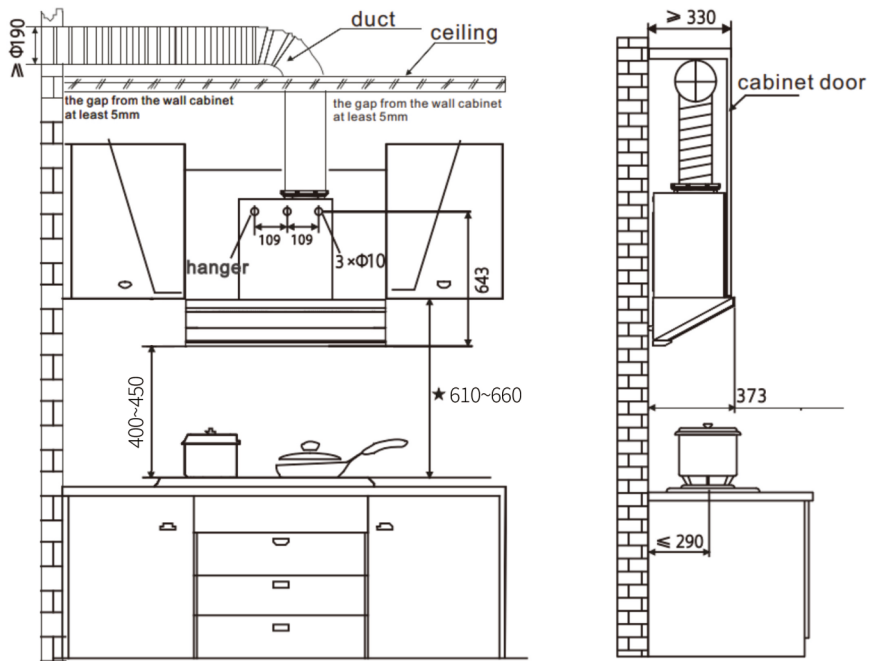
11. Hang the main unit firmly on the range hood hanger, without shaking or skewing, and place it horizontally and stably. Screw 1 M4X14 knurled screw into the screw hole on the right side of the hanger to prevent the range hood from slipping and falling.

12. Insert the end of the telescopic air duct assembly with the air duct connection ring into the air outlet seat, and buckle it on the corresponding buckle of the air outlet seat. Seal and fix the connection between the air duct connection ring and the air outlet seat with the aluminum foil tape in the accessories. The interface should be tight to prevent air leakage and oil seepage.

13. Stretch the telescopic air duct into the opened exhaust vent. The telescopic air duct should be flexible in bending, with no concave - convex deformation of the pipe wall, and the interface should be tight, and the check valve should rotate smoothly and naturally. (As shown in Figure 5)

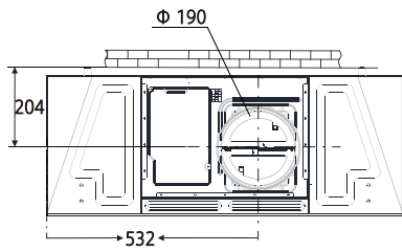
14. Place the oil - absorbing cotton and install the oil cup: Lay the oil - absorbing cotton from the accessories flat in the oil cup, with the white side facing up and the blue side facing down. Then install the oil cup on the oil cup hook at the bottom of the range hood.

15. Debugging after installation: After the product is installed, the product should be tested for operation according to the operation instructions in the "Usage Method". During the trial operation, check whether all functions are normal.

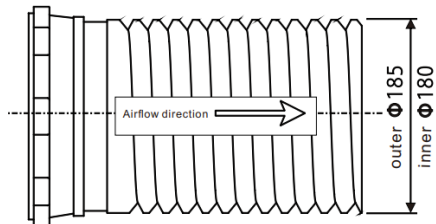


Remarks: Additional 50mm clearance is required if gas hob with cast iron pan support is used.

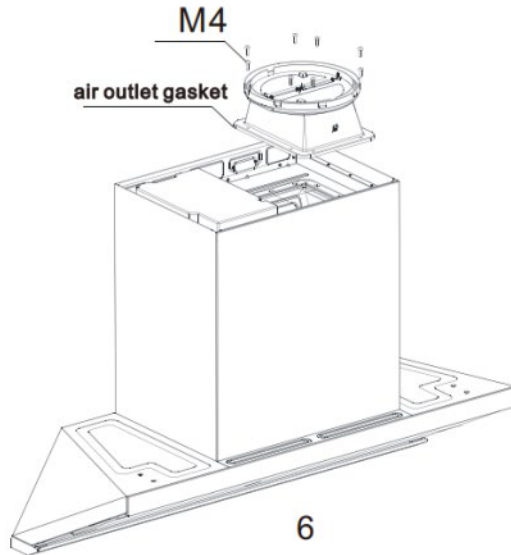
3



4



5



Usage



Light: Turn on or turn off the light;

Delay Off:

When the fan or the lighting is turned on, press the " ⏻ " button. The icon will shine, and switch to 1 speed , and the 30 min delay shutdown function will be activated. After the delay countdown ends, the fan speed will automatically turn off and go to standby mode.

AUTO-CLEAN

In the power-off state, first press the "Power" button. After all the function button icons light up halfway, long-press the "Auto Clean" button for about 1 second to turn on the auto wash function.

Meanwhile, a 17-minute countdown will start. When the countdown ends, the buzzer will sound five times and the entire auto wash process will be over.

SMART FLOW

In the power-off state, first press the "Power" button. After all the function button icons light up halfway. Press SMART FLOW button to start the function. The fan automatically adjusts its rotational speed according to the external wind pressure. The greater the wind pressure, the higher the rotational speed. Press the button again to turn off the fan.

SPEED

In the power-off state, first press the "Power" button. After all the function button icons light up halfway, then press the "Speed" button. The icon of the button will light up completely, and the fan will start running at the default gear. Press the button again, and it will cycle and switch in the order of "Medium Speed → High Speed → Low Speed → Medium Speed.

BOOST

In the power-off state, first press the "Power" button. After all the function button icons light up halfway, then press the "Boost" button. The icon of the button will light up completely, and the fan will start running at boost state for stir-fry cooking. When Boost is running, it will only run for 3 minutes. After the 3-minute countdown ends, it will automatically switch to run at the default gear.

Hand wave sense function

1. When the fan is in the off state, wave your hand quickly from left to right across the two gesture sensing windows at both ends.

Then the fan will start running at the default gear, and at the same time, the lighting lamp will be turned on.

2. When the fan is in the operating state, wave your hand quickly from right to left across the two gesture sensing windows at both ends and the fan will be turned off. At the same time, the lighting lamp will also be turned off.

3. When the fan is in the running state, wave your hand quickly from left to right across the two gesture sensing windows at both ends to switch between different gears.

4. When the range hood is in the delayed operation state, wave your hand quickly from left to right past the gesture sensing windows at both ends to exit the delayed state, and the fan speed gear will respond according to the above instructions.

5. When the device is powered off, first press the "Power" button. After all the function button icons light up halfway, press both the "Power" button and the Speed/Boost" button simultaneously for 3 seconds. This can be used to turn off/on the gesture sensing function.

Lock screen function:


Long press the "Power" button for 3 seconds to enter the lock - screen state. The power - button icon will flash, and the icons of other keys will be semi - bright. After entering the lock state, except for the power button, other keys and wave - hand operations are invalid. Long press the "Power" button for 3


seconds again or wait for 30 minutes, and the lock state will be automatically released.

i-Sync Function

Make sure the hood is powered on before activating this function.

Press the BOOST and SPEED icon at the same time to enter pairing mode.

The  will begin flashing. Then, turn the hob knob to the ON position.

Once the hob and hood are successfully paired, the  will stop flashing, and the hood will automatically power on and operate at medium speed (F2).

When successfully paired, the motion sensor can be used to adjust fan speeds while the motor or light is operating.

If pairing is unsuccessful within 3 minutes, the flashing indicator will change to a semi-illuminated state. In this case, press this icon again to re-enter pairing mode.

When the hob is turned off, the hood will enter a 3 minutes delayed shutdown mode before switching to standby mode.

To disconnect this function, press the HOB-HOOD icon again.

GERMANY 
LIVINOX
FOR A BETTER LIFESTYLE

Livinox Malaysia Sdn Bhd (1089457-U)
No 32A, Jalan Teknologi 3/3A,
Taman Sains Selangor 1, Kota Damansara,
47810 Petaling Jaya, Selangor.

www.livinox.my



Careline 
+603-6150 7810

