



# USER MANUAL



MODEL NO.:LCH-1016-90GM

CE CB 

# Safety Precautions

## Warning



PLEASE READ THIS SECTION THOROUGHLY BEFORE ATTEMPTING TO OPERATE THE **APPLIANCE**

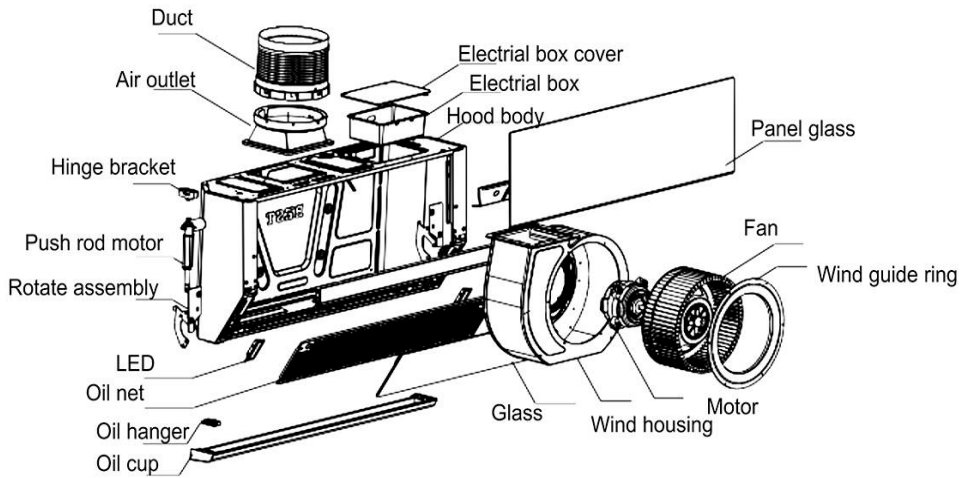
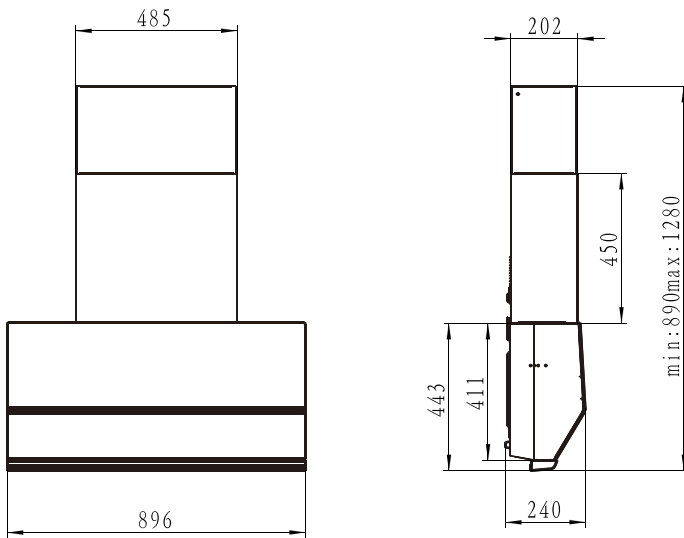
1. To ensure adequate ventilation in the room when the range hood is in use at the same time as gas/fuel burning cooking appliances (this is not applicable to appliances that only discharge the air back into the room).
2. There is a fire risk if cleaning is not carried out in accordance with the instructions.
3. To avoid using food products that produce flame under the range hood.
4. Do not “flambé” food (is a cooking procedure in which alcohol is added to a hot pan to create a burst of flames) under the range hood.
5. Sufficient air is needed for proper exhausting of gases through flue (chimney) of fuel burning appliances.
6. This appliance is not intended for use by persons (including children) with reduced physical, sensory or mental capabilities, or lack of experience and knowledge, unless they have been given supervision or instruction concerning use of the appliance by a person responsible for their safety.  
Children should be supervised to ensure that they do not play with the appliance.
7. To reduce risk of fire and to properly exhaust air and to ensure to duct air outside. Do not vent exhaust air into spaces within walls, ceilings, into attics and crawl spaces.

## Electrical Cord

1. To ensure the electrical cord is not exposed to heat, chemical or sharp objects.
2. If the electrical cord is damaged, it must be replaced by the manufacturer or its service agent or qualified electrician.

# Structure

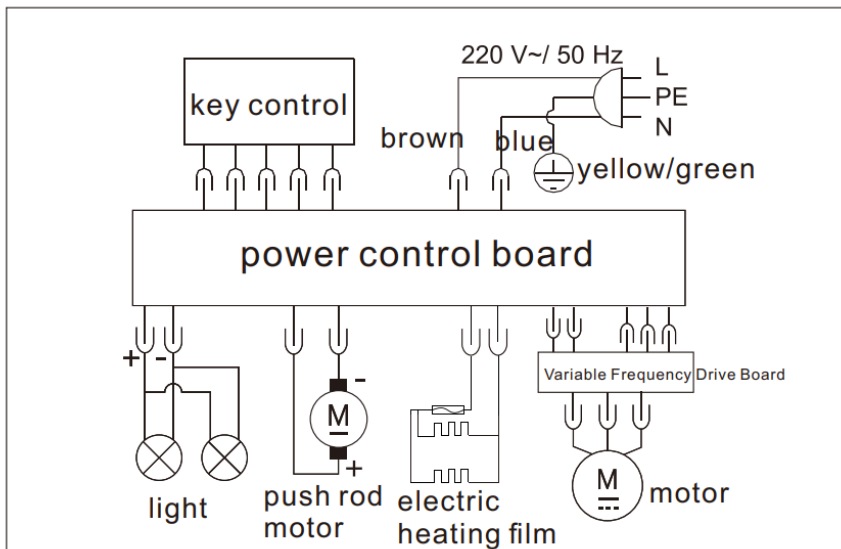
Unit: mm



## Specification

Model no	LCH-1016-90GM
Description	Range hood
Motor input power	300W
Lighting input power	2x2W
Heater power	110W
Small motor	4.5W
Rated voltage	(220-240)V~
Rated frequency	50Hz
Rated power	414W

## Wiring diagram



## Installation

1. The installation process must be completed by professionals non-professionals are strictly prohibited to operate without authorization.
2. The range hood should be installed directly above the source of fume and exhaust gas. The minimum distance between the supporting surface of the cooking appliance on the stove and the lowest part of the range hood should be at least 650mm. If the installation instructions for the gas stove specify a larger installation distance, this should be taken into account.
3. The stretched distance of the telescopic air duct should be as short as possible, with fewer turns. The turning angles should be as large as possible to avoid excessive resistance affecting the smoke exhaust effect. If the smoke duct is too long, part of the smoke duct can be folded at an appropriate place, and then the folded section of the smoke duct should be firmly adhered with transparent tape to prevent unnecessary air flow blockage.
4. During installation, ensure that the smoke collecting hood of the range hood is placed horizontally to prevent oil from flowing out from the lower side during use.
5. The telescopic air duct can be extended outdoors and directly discharged into the atmosphere or into the cold air public flue. The exhaust gas is not allowed to be discharged into the hot flue. The connection between the telescopic air duct and the public flue should be sealed. If the exhaust gas is directly discharged outdoors, the air outlet of the telescopic air duct

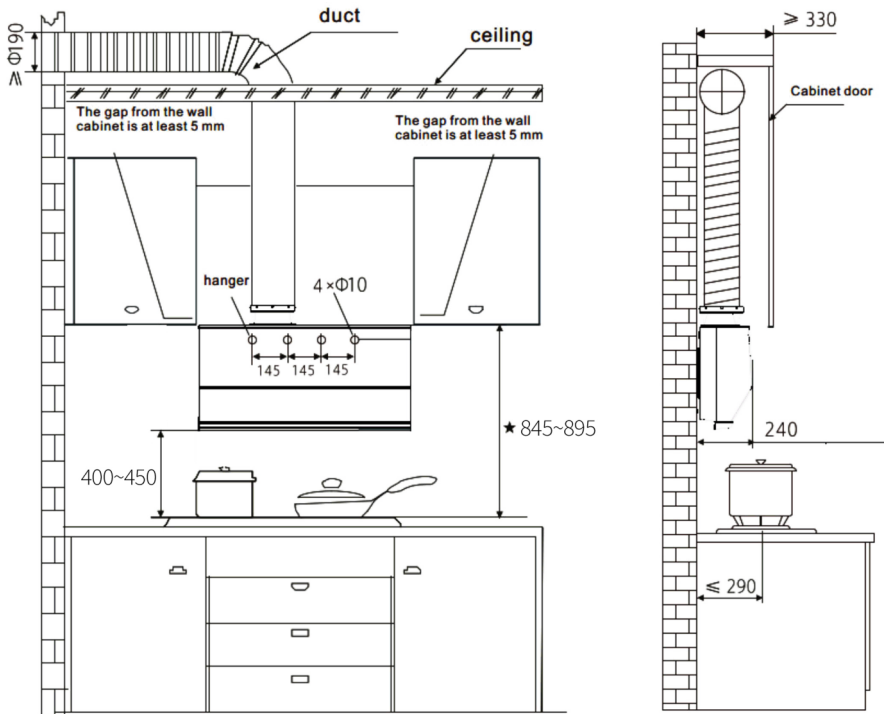
6. should be placed in a wind - sheltered place to prevent the fume exhaust gas from flowing back when there is a headwind.
7. This machine belongs to Class I appliance. When the basic insulation protection is damaged, it relies on the ground wire for electric shock protection. Therefore, it is necessary to ensure that the connection between the power socket and the ground wire is correct.

### **Installation method**

8. As shown in Figure 3, horizontally drill 4 holes of  $\Phi 10\text{mm}$  on the wall. The hole depth is 50mm, the hole pitch is 145mm, and the hole positions are as shown in Figure 3.
9. Insert plastic expansion pipes into the drilled holes, and use ST5x50 countersunk wood screws to pass through the holes of the hanger and tighten them, so as to firmly fix the hanger on the wall.
10. Drill the exhaust vent: As shown in Figure 4, open an exhaust vent 200 mm - 300 mm above the top air outlet of the range hood (determine the hole size according to the actual object). The exhaust outlet should be placed in a wind - sheltered place as much as possible.
11. Remove the 8 M4 screws at the top air outlet of the range hood, take out the air outlet seat assembly from the accessories, align the screw holes at the top air outlet of the range hood, and fix the air outlet seat assembly with the removed M4 screws, as shown in Figure 6.

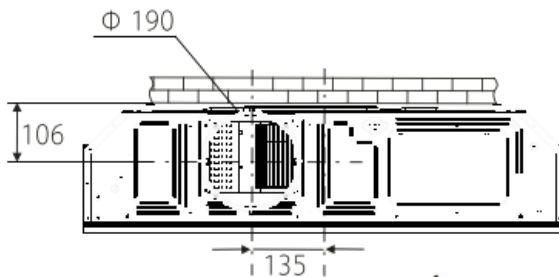
12. Hang the main unit firmly on the range hood hanger, without shaking or skewing, and place it horizontally and stably. Screw 1 M4X14 knurled screw into the screw hole on the right side of the hanger to prevent the range hood from slipping and falling.
13. Insert the end of the telescopic air duct assembly with the air duct connection ring into the air outlet seat, and buckle it on the corresponding buckle of the air outlet seat. Seal and fix the connection between the air duct connection ring and the air outlet seat with the aluminum foil tape in the accessories. The interface should be tight to prevent air leakage and oil seepage.
14. Stretch the telescopic air duct into the opened exhaust vent. The telescopic air duct should be flexible in bending, with no concave - convex deformation of the pipe wall, and the interface should be tight, and the check valve should rotate smoothly and naturally. (As shown in Figure 5)
15. Place the oil - absorbing cotton and install the oil cup: Lay the oil - absorbing cotton from the accessories flat in the oil cup, with the white side facing up and the blue side facing down. Then install the oil cup on the oil cup hook at the bottom of the range hood.
16. Debugging after installation: After the product is installed, the product should be tested for operation according to the operation instructions in the "Usage Method". During the trial operation, check whether all functions are normal.

mm

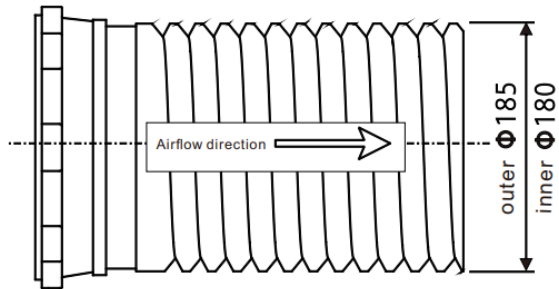


Remarks: Additional 50mm clearance is required if gas hob with cast iron pan support is used.

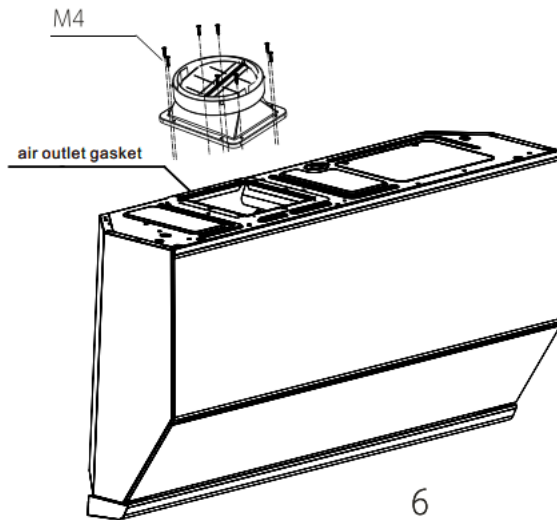
3



4



5



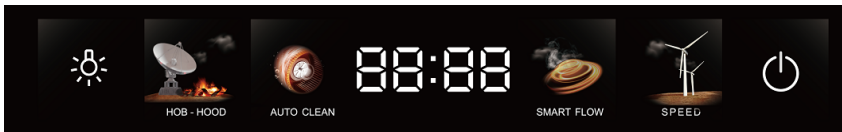
6

Remarks:

1. The installation height of the range hood in Figure 3 is in the reference range of 800 - 840. The closer it is to the smoke source, the better the smoke - absorbing effect. Therefore, it is recommended to install it as close as possible to the optimal value when the installation environment permits.
2. For the installation height of the cabinet - type range hood, theoretically, the top surface of the whole machine should be flush with the cabinet. So, for the cooking utensils used

3. with the cabinet - type range hood, it is recommended that the height should not exceed 320.
4. The distance from the center of the burner cap of the cooker to the wall should be  $\leq 290$ . The minimum distance depends on the diameter and height of the steamer used by the user to ensure the best smoke - absorbing effect.
5. To prevent poor exhaust caused by reasons such as congestion in the public flue or back - flow of wind in the self - built flue, it is recommended to use a check valve with an effective ventilation diameter greater than  $\Phi 160$ . Its interface size should match the inner diameter of the telescopic air duct.



## Usage



**Light:** Turn on or turn off the light;

### i-Sync Function

Make sure the hood is powered on before activating this function.

Press the **HOB-HOOD** icon to enter pairing mode. The  will begin flashing. Then, turn the hob knob to the **ON** position. Once the hob and hood are successfully paired, the  will stop flashing, and the hood will automatically power on and operate at medium speed (**F2**). When successfully paired, the motion sensor can be used to adjust fan speeds while the motor or light is operating.

If pairing is unsuccessful within 3 minutes, the flashing indicator will change to a semi-illuminated state. In this case, press this icon again to re-enter pairing mode.

When the hob is turned off, the hood will enter a 3 minutes delayed shutdown mode before switching to standby mode.

To disconnect this function, press the **HOB-HOOD** icon again.

## **AUTO-CLEAN**

Press and hold the AUTO-CLEAN button for one second. The AUTO CLEAN button and the power button will both light up completely, the hood will enter the automatic hot dry cleaning function mode. The display screen will show a 17 - minute countdown (the first two "8" represent minutes, and the last two "8"s represent seconds). During the cleaning, you can press AUTO CLEAN or power key to stop. The other keys are invalid during the cleaning process.

## **SMART FLOW**

Press this button to start the function. The fan automatically adjusts its rotational speed according to the external wind pressure. The greater the wind pressure, the higher the rotational speed. Press the button again to turn off the fan.

## **SPEED**

Touch the key first time, it is speed 2(F2); shift from medium speed gear F2 to high speed gear F3, then to stir - fry gear F6, then to low speed gear F1, then back to medium speed gear F2, and so on in a cycle.

## **Motion Sensor**

When powered on initially, the function is enabled by default. Touch the SPEED and power key at the same time for about 3 seconds to start the function or turn off the function.

1. In standby mode, wave your hand quickly from left to right across the gesture - sensing windows at both ends, and the range hood will start running at the SMART FLOW speed (and the lighting lamp will be turned on ).

2. In the power - on state, wave your hand quickly from right to left, the lighting lamp will be turned off.

3. In the power - on state, wave your hand quickly from left to right across the gesture - sensing windows at both ends for gear switching. The gears can be cycled and switched among SMART FLOW and- F3( high speed).

4. In the delayed - operation state of the range hood, wave your hand quickly from left to right to exit the delayed - operation state, and the gear will respond according to the above instructions.

### **Lock screen function:**

Long press the "Power" button for 3 seconds to enter the lock - screen state. The power - button icon will flash, and the icons of other keys will be semi - bright. After entering the lock state, except for the power button, other keys and wave - hand operations are invalid. Long press the "Power" button for 3 seconds again or wait for 30 minutes, and the lock state will be automatically released.

### **Delay Off:**

1. When the fan is in the operating state, press SPEED button for 3 seconds. The buzzer will beep once, and the display will flash to show the delayed shutdown time. The default delay time is 3 minutes. If there is no operation within 3 seconds while it is flashing, the delayed shutdown function will be executed, and the number on the display will count down from 3 minutes.

2. After entering the delay state, the clock switches to display the countdown of the delay time. The hour position represents minutes, and the minute position represents seconds.

3. When the countdown ends and the device shuts down, the buzzer will beep once, and it enters the trigger state.
4. After the delay function is activated, press and hold the "Power" button for 3 seconds to normally activate the screen locking function. After the delay ends, the range hood will be turned off, and the screen - locked state will be maintained.
5. After the delay function is activated, a short press of the "Power" button will directly turn off the range hood, and it enters the trigger state.

### **Set timer**

1. When the fan is working, press the SPEED key, the display screen flashes to show the delayed shutdown time. The default delay time is 3 minutes. When it is flashing, if there is no operation within 3 seconds, the delayed shutdown function will be executed
2. After entering the delayed state, the clock switches to display the countdown of the delayed time. The hour position represents minutes, and the minute position represents seconds.
3. After the delay function is activated, long press the "Power" button for 3 seconds to normally activate the screen lock function. After the delay ends, turn off the range hood and keep the screen - locked state.
- f. After the delay function is activated, short press the "Power" button to directly turn off the range hood.

## **Thoubleshoot**

### **Eb** motor error code

Once have something wrong with the motor, display screen remains on and shows the fault code "Eb", while the buzzer beeps five times for an alarm. The hood will turn off. Except for the power button, other buttons are inoperable. Touch the Power button to cancel the error reminder.

### **EU** communication error code

If there is something wrong with the communication status between the display board and the power supply board, the display will show the EU error code and then the hood will turn off. Only when the problem is solved, the error code will be removed.

GERMANY 

# LIVINOX

FOR A BETTER LIFESTYLE

**Livinox Malaysia Sdn Bhd** (1089457-U)  
No 32A, Jalan Teknologi 3/3A,  
Taman Sains Selangor 1, Kota Damansara,  
47810 Petaling Jaya, Selangor.

[www.livinox.my](http://www.livinox.my)



Careline   
+603-6150 7810

