



USER MANUAL

LCH-BARTEK DC-90BL

LCH-DARLEY DC-90BL

PLEASE READ THE USER MANUAL CAREFULLY BEFORE USE AND STORE IT SAFELY.

From the Manufacturer

Please read this user manual carefully before attempting to operate the appliance and keep it in a safe place for future reference.

This appliance and its packaging are produced by processes that minimize waste and respect the environment. Please help us to continue this effort to protect the environment by using the appliance efficiently and dispose of the packaging in a responsible manner.

FOR THE USER

1. Safety Instruction

Warning



PLEASE READ THIS SECTION THOROUGHLY BEFORE ATTEMPTING TO OPERATE THE APPLIANCE

- 1.To ensure adequate ventilation in the room when the range hood is in use at the same time as gas/fuel burning cooking appliances (this is not applicable to appliances that only discharge the air back into the room).
- 2.There is a fire risk if cleaning is not carried out in accordance with the instructions.
- 3.To avoid using food products that produce flame under the range hood.
- 4.Do not "flambé" food (is a cooking procedure in which alcohol is added to a hot pan to create a burst of flames) under the range hood.
- 5.Sufficient air is needed for proper exhausting of gases through flue (chimney) of fuel burning appliances.
- 6.This appliance is not intended for use by persons (including children) with reduced physical, sensory, mental capabilities, lack of experience and knowledge.
- 7.To reduce risk of fire and to properly exhaust air and to ensure to duct air outside. Do not vent exhaust air into spaces within walls, ceilings, into attics and crawl spaces.

Electrical Cord

- 1.To ensure the electrical cord is not exposed to heat, chemical or sharp objects.
- 2.If the electrical cord is damaged, it must be replaced by the manufacturer or its service agent or qualified electrician.

Installation

1. This appliance must be installed or repaired by a qualified technician only.
2. Do not modify any part of this appliance by yourself.
3. To ensure the location in which this appliance is installed has good and permanent ventilation.
4. In ducted mode, there must be one or more permanent air inlet. The air collected must not be discharged into a duct used to blow off smoke from other appliances fed with electricity.
5. The distance between the bench to the lower part of the hood must not be less than 60cm.
6. Use an electrical connector with earth that is correct for your location.
7. To check the voltage in your area correspond to the appliance as indicated on the rating label.
8. Do not connect the hood to a duct that carries combustion fumes (e.g. fireplace).



Intended For Household Use

- 1.This product is designed for household use only and should never be used for commercial applications.
- 2.After use, always ensure that all controls are in the "OFF" position.
- 3.When frying with a gas flame, take particular care not to allow the oil or grease in the pan to catch fire.

Cleaning, Maintenance & Service

It is very important to clean and maintain the grease filters regularly (at least once monthly) to improve its efficiency in eliminating heat and contaminated air in the kitchen. Heavy oil deposits is a fire hazard. Hood surface should be cleaned with soft cloth and non-corrosive detergent.

Important: Never attempt to repair this appliance by yourself. Always refer to qualified Service Technicians. For safety precaution, always purchase the original replacement parts.

Always switch off the power and unplug the connection before conducting maintenance or cleaning.

2. Hood Description

Ducted or Re-circulating mode

Depending on your requirement, this appliance can be configured to operate in the ducted or re-circulating modes.

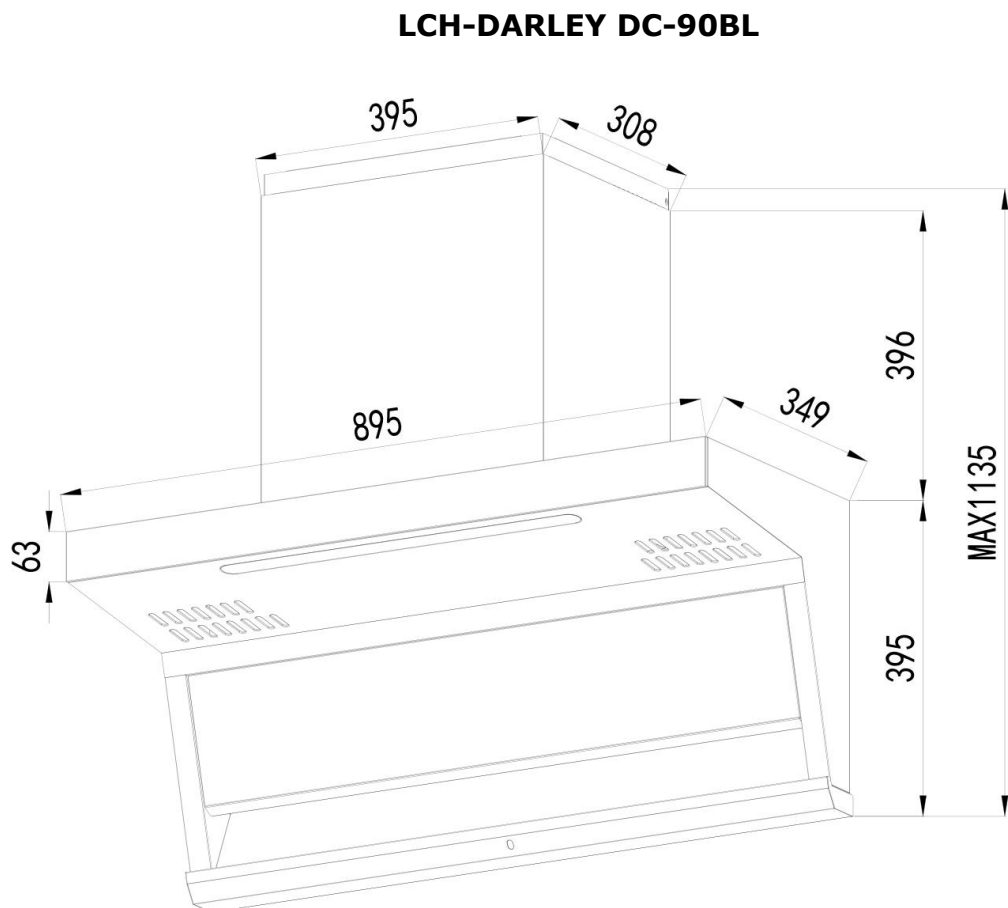
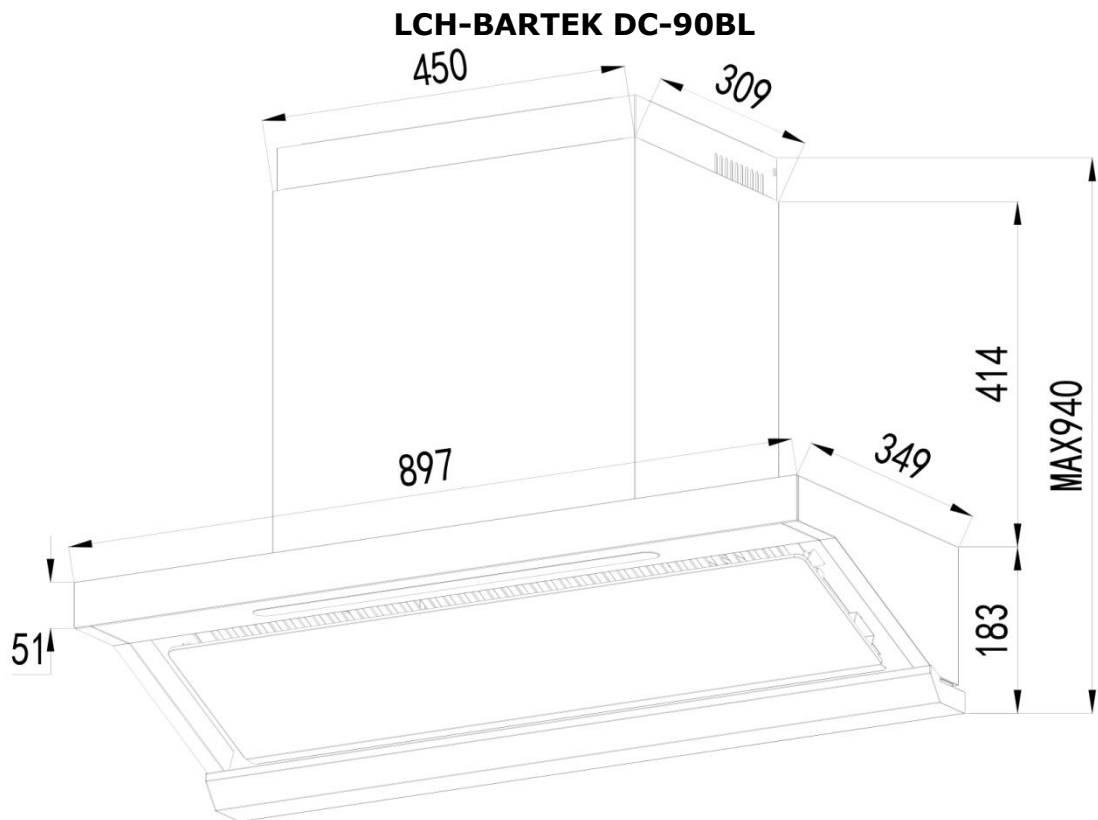
DUCTED MODE: Fire proof ducting system of 160mm or 180mm diameter vent the fumes through a suitable outlet. In the ducted mode, only the aluminum grease filters are installed.

RECIRCULATING MODE: Fumes are filtered for grease and odour through the aluminum grease filters and the charcoal filters respectively and re-introduced into the kitchen environment. In re-circulating mode, both the aluminum grease filters and the charcoal filters should be installed.

Speed Control

Use the low speed for simmering, medium speed for light cooking and higher speed/turbo for frying or heavy cooking

3. Dimension Diagrams



4. Instructions for use



MOTION SENSOR

To turn on the power, wave once from left to right within 10-15 cm from the switch (the LED screen will display "F1"). Repeating this action will increase the speed from F2 up to the highest setting, F5. To turn off the power, wave once from right to left.

i-Sync FUNCTION

When the device is not in use, press and hold the AI icon for 3 seconds to enter pairing mode. The AI icon will begin flashing. Then, turn the hob knob to the ON position. Once the hob and hood are successfully paired, the AI icon will stop flashing, and the hood will automatically power on and begin operation. When the hob is turned off, the hood will enter a delayed shutdown mode. To disconnect this function, press and hold the AI icon for 3 seconds again.

Note: This feature is available on certain hob models only.

Adjusting the flame power will automatically adjust the hood's air volume.


Press the **Turbo** button to set the fan to booster/highest speed (the LED screen will display "F6"). After 3 minutes of operation, it will automatically switch to high-speed mode. Press the button again, and the motor will stop, the indicator light will turn off, and the range hood will enter a non-working state.

Press the **Auto Clean** button to activate the oil removal function, which runs for **10 minutes**.

- Press the button again to turn it off.
- The fan will automatically switch to **high speed for 1 minute** after **9 minutes** of cleaning.
- The **Auto Clean** function activates automatically after **30 hours** of use.
- Once the **10-minute cleaning process** is complete, the accumulated usage time will reset.

Press the **Speed** button to adjust the fan speed:

- At low speed, the LED screen displays "F1".
- Press once to switch to medium speed ("F2").
- Continue pressing to increase the speed until the fan reaches its highest setting ("F5").
- The cycle then repeats.

Press the  button to turn the light **on**. Press it again to turn the light **off**.

Powering the Device On/Off

- To turn the device on, press the Power button.
- While the device is operating, press the Power button again to enable the Delay Off feature, which is initially set to 1 minute.

Adjusting the Delay Off Timer (1 to 99 minutes)

- When setting the timer, the Speed and Light icons will flash.
- Press the Speed (+) button to increase the timer duration.
- Press the Light (-) button to decrease the timer duration.

Setting the Clock

- **In Standby Mode**, press and hold the **power** button for **3 seconds**.
 - The **hour digits** on the display will start blinking.
- Use the buttons to set the **hour**:
 - Press **Speed (+)** to increase.
 - Press **Light (-)** to decrease.
- Press the **power** button again to move to the **minutes**.
 - The **minute digits** will start blinking.
- Adjust the **minutes** using:
 - **Speed (+)** to increase, **Light (-)** to decrease.
- Press the **Setting** button one final time to **save the time**.

Cleaning & Maintenance



ALWAYS SWITCH OFF AND UNPLUG FIRST!

SURFACES:

Wash with warm soapy water and a soft sponge. Never use abrasive detergent, scouring pads, steel wool or solvents on any part of this appliance as this will cause irreparable damage.

ALUMINIUM GREASE FILTERS:

Wash in the dishwashers or soak the panels in a degreasing agent for an hour, then rinse off and dry before re-installing.

CHARCOAL FILTERS:(optional and not included in package)

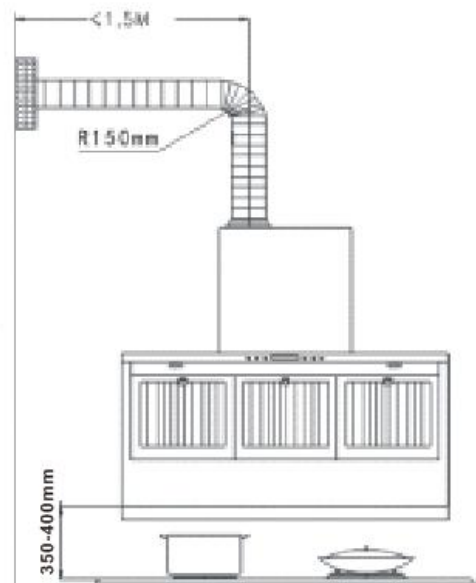
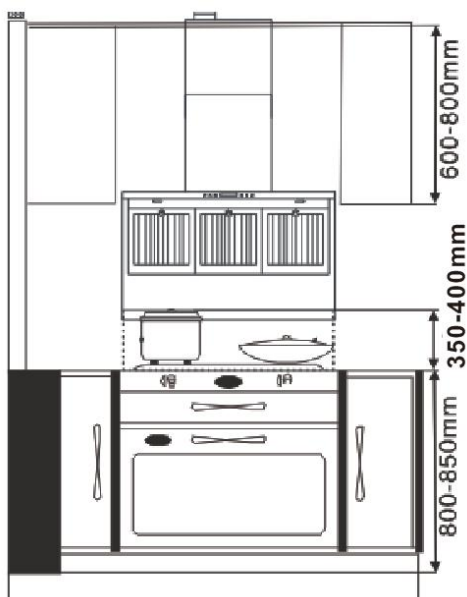
(only in re-circulating model): Charcoal cannot be reused. They must be replaced with the appropriate types once a year or depending on the frequency of appliance usage.

For this appliance to function effectively, regular maintenance is a must.

Clogged filters restrict airflow and may cause the motor to overheat.

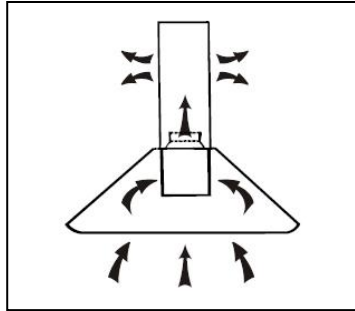
5. Installation

1. Use suitable bolts to mount the appliance on a secure surface.
2. The minimum distance between the supporting surface for the cooking vessels on the hob and the lowest part of the range hood. When the range hood is located above a gas appliance, this distance shall be at least 65 cm. If the instructions for installation for the gas hob specify a greater distance, this has to be taken into consideration.
3. The location of the installation must have permanent openings for ventilation.
4. Regulations concerning the discharge of air have to be fulfilled.
5. It is strongly recommended that the hood to be installed right over the exhaust air from cooking.
6. Do not install the outlet of the pipe in the wind direction, which can prevent the exhaust air from flowing backward.
7. To fasten the components for the exhaust outlet with screws. To ensure good ejection of exhaust air, the pipe must not be bended for too many times.



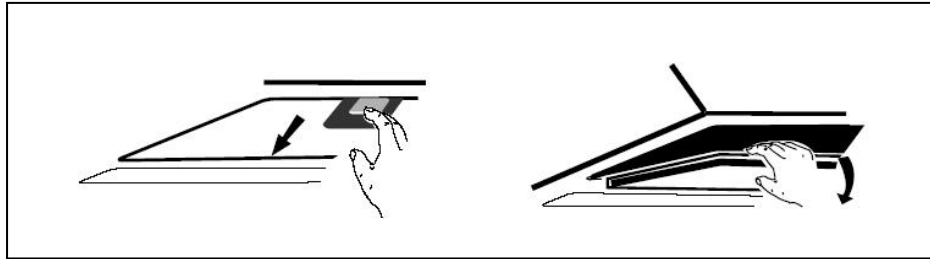
Installation (Vent inside)

If you do not have an outlet to the outside, exhaust pipe is not required and the installation is similar to the one show in section “**Installation (Vent outside)**”.

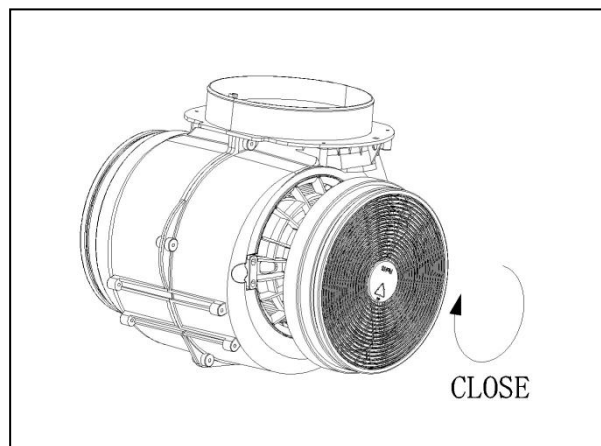


Activated carbon filter can be used to trap odors.

In order to install the activated carbon filter, the grease filter should be detached first. Press the lock and pull it downward.



Plug the activated carbon filter into the unit and turn it in clockwise direction. Repeat the same on the other side.



IMPORTANT NOTES:

1. To ensure the activated carbon filter is securely locked.
2. When activated carbon filter is attached, the suction power will be lower.
3. To check the electrical connection is corresponded to the electrical requirement on the rating plate, which is placed inside the cooker hood. The appliance should now be connected to the electrical supply.
4. To check the appliance is operating correctly by selecting each speed and switching the light bulb on and off.
5. To remove the hanging hook and then slide the lower chimney section downwards, until it rests against the main body of the cooker hood.
6. To use a stainless-steel cleaner and polish on the stainless steel surfaces of the appliance.
7. If you are using the appliance in recirculation mode, you should install the carbon filter. See the "fitting the carbon filter" section on page 21.
8. Every hood has two fixing screws to firmly fix the hood in its place.

FOR THE INSTALLER

6. Safety Information

1. Electrical connection must be in accordance with the local standards and laws.
2. To ensure that the electrical supply in compliance with the appliance setting, otherwise, do not connect.
3. To ensure the power supply cord is free from any heat source or sharp objects.
4. The electrical connection of this appliance must be soundly earthed. In the event of electrical short circuit, grounding reduces the risk of electrical shock. If unsure, contact a qualified electrician.
5. Replacement of lamp must not exceed 20W.
6. LED lamp must not exceed 2W/7W.



Wire Color Codes:

Green & Yellow = EARTH

Blue = NEUTRAL

Brown = LIVE

7. Trouble shooting

Problems	Possible Cause	Action
Not function	No power supply	Check that the main switch is turned on
		Check that the plug is connected
Poor airflow	Aluminum grease filters clogged	Clean the filters and replace when dry
	Charcoal grease filters clogged	Replace charcoal filters with new sets
Motor running but no airflow	Butterfly valve jammed	Contact technician
Motor cuts after a few minutes	High temperature safety device activated	The kitchen is not sufficiently ventilated
	The hood is installed too near the cooking stove	The hood must be at least 65cm from stove
Strong cooking smell	Charcoal filters are not installed	Charcoal filters must be installed in re-circulating mode
Oil dripping onto stove	Oil cup missing or not installed	Remove aluminum filter and replace oil cup
	aluminum grease filter saturated	Wash the aluminum grease filters
Whirring sound	Foreign object in contact with fan blade	Contact technician

GERMANY 
LIVINOX
FOR A BETTER LIFESTYLE

Livinox Malaysia Sdn Bhd (1089457-U)
No 32A, Jalan Teknologi 3/3A,
Taman Sains Selangor 1, Kota Damansara,
47810 Petaling Jaya, Selangor.

www.livinox.my



Careline
+603-6150 7810

